

Project.....

Comments.....

Fixture Type.....

Prepared By.....

Product Description:

The HeliusPIR™ range of IP65 floodlights are ideal for residential applications and commercial security requirements. Their adjustable PIR sensor allows for direct positioning to ensure optimum motion detection and lighting fields are achieved. Available in 10W, 30W and 50W versions with black housing.

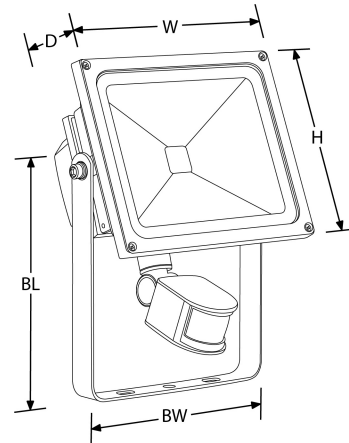
Product Image:



Product Features:

- IP65 rated LED floodlight with adjustable PIR sensor for optimum positioning and motion detection
- PIR detection distance up to 6m, detection range 120° for 10W, 180° for 30W & 50W
- Durable high quality paint minimises effect of corrosion
- Die-cast aluminium housing
- Pre-wired with 300mm of cable
- 1.5kV surge protection
- 3 year warranty

Product Dimension:



Compliance & Approvals:



Title

Input Voltage	220/240V AC
Input Frequency	50/60HZ
Dimmable	No
Dimensions	mm (L) x 195mm (W) x 300mm (H) x mm (OD) x mm (RD) x mmxmm (OD)
Number of LEDs	1

SKU Table and Ordering

SKU Code	Colour	lm	Wattage	Lumens/Watt	Product Type
EN-FL30PIRA/40	4000	2250	30	75	PIR

Warranty

This product has a warranty period of 3 Years from the date of purchase. The warranty is invalid in the case of improper use, installation, tampering, and removal of the Q.C. date label; installation in an improper working environment or installation not according to the current edition of the National Electric Code. Should this product fail during the warranty period it will be replaced free of charge, subject to the correct installation of the original product and subsequent return of the faulty unit. Aurora does not accept responsibility for any installation costs associated with the replacement of this product and Aurora reserves the right to alter specifications without prior notice.

AU Sales

4/37 Union Street
NSW 2009
Ingleburn
Australia
Tel : +61 2 9882 6000

AU Distribution

Pymont
2/3 Slater Road
NSW 2565
Australia
Tel : +61 4 0642 6601