



Product Description: 2 x 1.5W Emergency Twin Spot with Manual Test Function

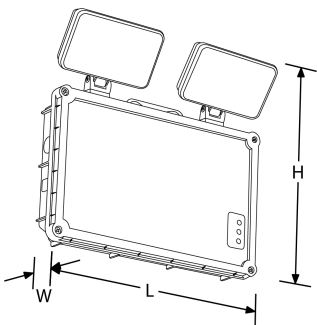
The new Emergency Twin Spot offers 3 hours emergency back up duration, and is non-maintained for use in the event of a power outage. Choose between Manual Test and Self Test function.

SKU Code	Wattage	Colour	Lumens	Lumens/Watt	Beam Angle	Finish Colour	SKU Type
EN-EMTS	3	6500	400	134	120	White	Emergency

Line Drawing

Polar Curve

Colour



Feature & Benefits

- 3 hours emergency back-up duration
- 25 metre viewing distance
- IP65 rated
- IK08 rated
- Non-Maintained
- Twin spot heads have a horizontal adjustable of 180° and a vertical adjustment of 70°
- EN-EMTS - Manual test (push button)
- EN-EMTSST - Self test
- 5 Year Warranty

Product Specs:

Input Voltage	220~240V AC	Input Frequency	50/60HZ
Power Factor	0.4	IP Rating	IP65
Lifetime L70 (hrs)	30000hrs	IK Rating	IK08
Width (mm)	47	Length (mm)	300
Weight (Kg)	1.209	Height (mm)	290
Product Type	Emergency		

Compliance & Approvals:

Warranty:

This product has a warranty period of 5 Years. Warranties may be available on certain products as indicated in the product description. Warranties are valid from the date of purchase. The warranty is invalid in the case of improper use, installation, tampering, removal of the Q.C. date label or installation in an improper working environment or installation. Should this product fail during the warranty period it will be replaced free of charge, subject to the correct installation of the original product and subsequent return of the faulty unit. Aurora does not accept responsibility for any installation costs associated with the replacement of this product and Aurora reserves the right to alter specifications without prior notice.