



**Product Description:** Ceiling Mounted Emergency Exit Sign

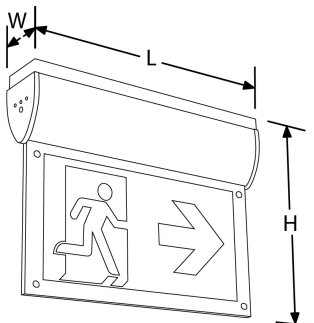
Range of maintained and non-maintained 240V aluminium ceiling mounted LED emergency exit signs with 3 hours emergency back-up duration.

SKU Code	Wattage	Colour	Finish Colour	SKU Type
EN-EMLED21ST	3.3	6500	Aluminium	Emergency

**Line Drawing**

**Polar Curve**

**Colour**



## Feature & Benefits

- Emergency backup up to 8 hours
- Selectable emergency duration - 1, 2, 3 or 8 hour options
- Can be maintained or non-maintained (selected via dip switch)
- 25 metre viewing distance
- LiFePO4 battery included
- Self test
- ISO standard approved legends sold separately
- 6500K colour temperature
- L70 50,000hrs
- 3 Year Warranty

## Product Specs:

Input Voltage	220~240V AC	Input Frequency	50/60HZ
Lifetime L70 (hrs)	50000hrs	Width (mm)	53
Length (mm)	300	Height (mm)	239
Product Type	Emergency		

## Compliance & Approvals:



## Warranty:

This product has a warranty period of 3 Years. Warranties may be available on certain products as indicated in the product description. Warranties are valid from the date of purchase. The warranty is invalid in the case of improper use, installation, tampering, removal of the Q.C. date label or installation in an improper working environment or installation. Should this product fail during the warranty period it will be replaced free of charge, subject to the correct installation of the original product and subsequent return of the faulty unit. Aurora does not accept responsibility for any installation costs associated with the replacement of this product and Aurora reserves the right to alter specifications without prior notice.