

EN-DDL825

Project.....

Fixture Type.....

Comments.....

Prepared By.....

Product Description:

The Reflector-Fit™ range comes with a high powered COB which can provide up to 122lm/W. Featuring a sparkling multifaceted aluminium reflector designed for exceptional light control and providing a 60 degree beam angle for focused downlighting. Available in four different wattage's.

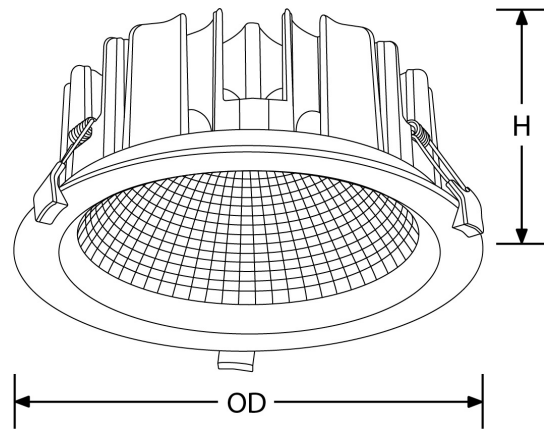
Product Image:



Product Feature:

- Energy efficient COB LED downlights
- 60° beam angle
- Triac dimmable as standard
- Plug and play remote driver for easy installation
- IP44 rated
- 1.5kV surge protection
- SEAI: EN-DDL825/40 - LIG84987
- 3 Year Warranty

Product Dimension:



Compliance & Approvals:



Product Specs:

Input Voltage	200~240V AC
Input Frequency	50/HZ
Power Factor	0.9
Operating Temp (Min-Max)	-20-45°C (-4~113°F)
Dimmable	Yes
Dimensions	mm (L) x mm (W) x 87mm (H) x 225mm (OD) x 112mm (RD) x mm

SKU Table and Ordering

SKU Code	Colour	lm	Wattage	Lumens/Watt	Product Type
EN-DDL825/40	4000	2890	25	116	Triac Dimmable
EN-DDL825DA/40	4000	2890	25	116	DALI Dimmable
EN-DDL825V/40	4000	2890	25	116	1-10V Dimmable

Warranty

This product has a warranty period of 3 Years.

Warranties are valid from the date of purchase. The warranty is invalid in the case of improper use, installation, tampering, removal of the Q.C. date label or installation in an improper working environment or installation. Should this product fail during the warranty period it will be replaced free of charge, subject to the correct installation of the original product and subsequent return of the faulty unit. Aurora does not accept responsibility for any installation costs associated with the replacement of this product and Aurora reserves the right to alter specifications without prior notice.

ZA Sales & Distribution

Building 6 Pinewood

Office Park 33 Riley

Road, Woodmead Gauteng

South Africa

Tel : +27 (0) 11 234 4878