

Project.....
Fixture Type.....

Comments.....
Prepared By.....

Product Description:

Spryte™ LED downlight range is the ideal energy efficient non-fire rated solution for new build or retrofit halogen installations. Fitted with the edge-to-edge, multifaceted, 60° wide beam EnFiniti™ lens, these downlights allow for high light output and low glare while still providing a sparkling halogen like optical appearance in a compact sized fitting. Also available in 8W gimbal adjustable version alongside the fixed for maximum application flexibility.

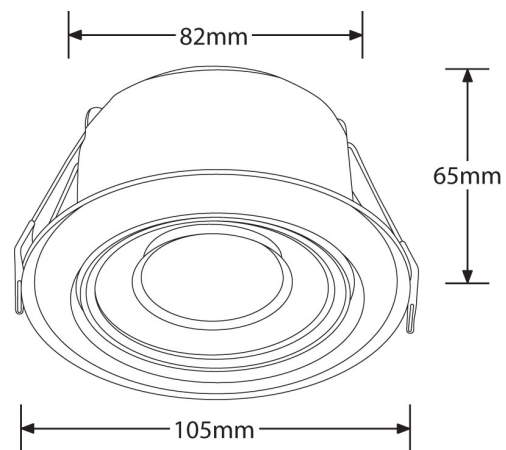
Product Image:



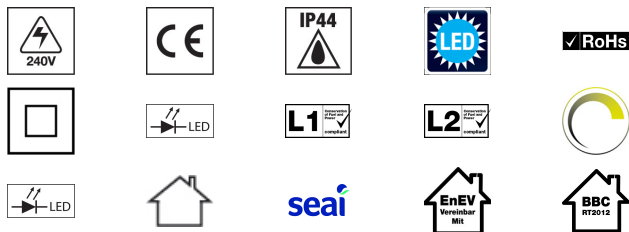
Product Features:

- Energy efficient LED downlight for new build or halogen and reflector lamp retrofit applications
- EnFiniti™ edge-to-edge multifaceted polycarbonate lens creates low glare and halogen like appearance
- Compact integrated driver for easy installation and low ceiling voids
- 8W supplied with fixed white bezel. 10W supplied with interchangeable round & square white bezels
- Available as non-dimmable and triac dimmable
- Pre-wired with 500mm 2 core cable
- Fixed & adjustable versions IP44 rated
- 1.5kV surge protection
- 3 year warranty

Product Dimension:



Compliance & Approvals:



Title

Input Voltage	220/240V AC
Input Frequency	/50HZ
Operating Temp (Min-Max)	-20-40°C (-4~104°F.)
Dimmable	Yes
Dimensions	mm (L) x mm (W) x 57mm (H) x 105mm (OD) x 80mm (RD) x mmx82mm (OD)

SKU Table and Ordering

SKU Code	Colour	lm	Wattage	Lumens/Watt	Product Type
EN-DDL1019/27	2700	810	10	81	
EN-DDL1019/30	3000	1000	10	100	Triac Dimmable
EN-DDL1019/40	4000	1050	10	105	Triac Dimmable
EN-DDL1019/64	6400	1100	10	110	
EN-DDL1019EM/30	3000	830	10	83	Dimmable
EN-DDL1019EM/40	4000	850	10	85	Dimmable

Warranty

This product has a warranty period of 3 Years from the date of purchase. The warranty is invalid in the case of improper use, installation, tampering, and removal of the Q.C. date label; installation in an improper working environment or installation not according to the current edition of the National Electric Code. Should this product fail during the warranty period it will be replaced free of charge, subject to the correct installation of the original product and subsequent return of the faulty unit. Aurora does not accept responsibility for any installation costs associated with the replacement of this product and Aurora reserves the right to alter specifications without prior notice.

AU Sales
4/37 Union Street
NSW 2009
Ingleburn
Australia
Tel : +61 2 9882 6000

AU Distribution
Pymont
2/3 Slater Road
NSW 2565
Australia
Tel : +61 4 0642 6601