

Project.....

Fixture Type.....

Product Description:

24V DC output.
For the supply of low voltage LED luminaires.

Product Features:

- Registered Community Design 001886730
- For the supply of low voltage LED lamps
- 24V DC output
- Overload protection
- Short circuit protection
- Thermal protection
- Secondary wiring terminals - 3 outputs
- Loop-in, loop-out primary wiring terminals
- Integrated earth terminal for earth continuity
- No junction box required
- 1.0kV SURGE PROTECTION – EN 61547
- Safety compliance – EN 61347
- EMC compliance – EN 55015, EN 61000, EN 61547
- Non-dimmable
- Parallel wiring only
- 3 Year Warranty - see www.auroralighting.com for details

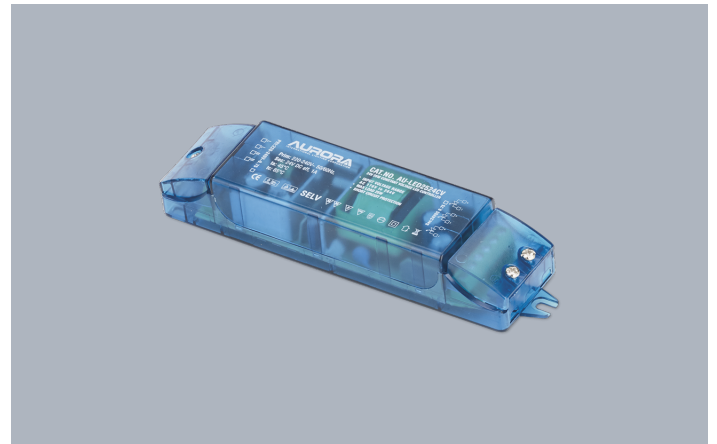
Compliance & Approvals:



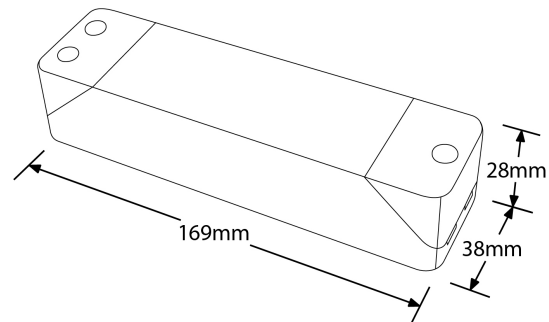
Comments.....

Prepared By.....

Product Image:



Product Dimension:



Product Specs:

Input Voltage	220~240V AC
Max Case Temp.	85°C (185°F.)
Dimmable	No
Dimensions	6.64" (L) x 1.49" (W) x 1.1" (H) x 1.1" (OD) x 1.1" (RD) x 1.1"

SKU Table and Ordering:

SKU Code	Wattage
AU-LED2524CV	25

Warranty:

This product has a warranty period of 3 Years from the date of purchase. The warranty is invalid in the case of improper use, installation, tampering, and removal of the Q.C. date label; installation in an improper working environment or installation not according to the current edition of the National Electric Code. Should this product fail during the warranty period it will be replaced free of charge, subject to the correct installation of the original product and subsequent return of the faulty unit. Aurora does not accept responsibility for any installation costs associated with the replacement of this product and Aurora reserves the right to alter specifications without prior notice.

USA Sales & Distribution

12035 34th Street North
Suite 2
St Petersburg, Florida 33716
USA
Tel : +1 (727) 524 4270