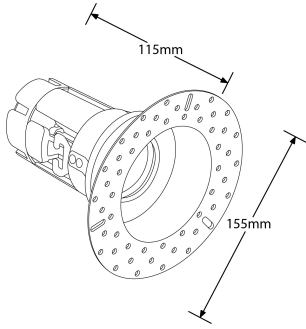




Product Description: m10™ 8.5W IP65 Trimless Dimmable Fire Rated Downlight

The m10™ trimless, integrated, fire rated 8.5W LED downlight with new improved design featuring enhanced thermal management, integrated IC cap and improved efficacy with driver-on-board and high voltage LED chips. Available in 2700K, 3000K and 4000K. Baffle available in Black and White. Two lens options: 40° and 60° with 40° fitted as standard. FastRFix™ rapid install system connector included. Rated to 30, 60 and 90 minute fire ceilings. Complies with BS EN 1365-2: 2014 (fire resistance), BS EN ISO 10140-2: 2010 & BS EN ISO 10140-3: 2010 + A1: 2015 (acoustics), BS EN 13141-1:2400 (Air leakage).

SKU Code	Wattage	Colour	Lumens	Lumens/Watt	Beam Angle	Finish Colour	SKU Type
AU-FRLD814B/27	8.5	2700	410	49	40	White	Dimmable
AU-FRLD814B/30	8.5	3000	460	55	40	White	Dimmable
AU-FRLD814B/40	8.5	4000	495	59	40	White	Standard



Product Features:

- Rated to 30, 60 & 90 minute fire ceilings
- IC cap included
- icDOB™ (Driver on Board) for maximum reliability and lifetime - NO SEPARATE DRIVER REQUIRED
- CrystalCool™ next generation thermal management offers brighter light for longer
- Mains voltage single source HVLED™ chip eliminates overshadowing and offers controlled dimming
- Patented LEDchroic™ lens provides halogen appearance with LED efficiency, anti-glare and precise beam control
- ErP compliant - High colour rendering index (Ra) >80
- 40° lens supplied, interchangeable 60° lens sold separately
- FastRFix™ rapid install system - connector included
- Trimless IP65 rated bezel for a clean flush finish
- BS EN 1365-2: 2014 (Fire resistance)
- BS EN ISO 10140-2: 2010 & BS EN ISO 10140-3: 2010 + A1: 2015 (Acoustics)
- BS EN 13141-1:2004 (Air leakage)
- (L70) at a 40,000 hour lifetime
- 5 Year Warranty – see www.auroralighting.com for details

Product Specs:

Input Voltage	220~240V AC	Input Frequency	50/60HZ
Power Factor	0.9	IP Rating	IP65
Lifetime L70 (hrs)	40000	Overall Diameter (mm)	88
Weight (Kg)	0.313	Cutout Diameter (mm)	90
Product Type	Downlights, Fire-Rated Downlight	Operating Temp. (Max) °C	25°C

Compliance & Approvals:



Warranty:

This product has a warranty period of 1 Year. Warranties may be available on certain products as indicated in the product description. Warranties are valid from the date of purchase. The warranty is invalid in the case of improper use, installation, tampering, removal of the Q.C. date label or installation in an improper working environment or installation. Should this product fail during the warranty period it will be replaced free of charge, subject to the correct installation of the original product and subsequent return of the faulty unit. Aurora does not accept responsibility for any installation costs associated with the replacement of this product and Aurora reserves the right to alter specifications without prior notice.