

Project.....

Fixture Type.....

Comments.....

Prepared By.....

### Product Description:

The m10™ fixed, black baffle, integrated, fire rated 8.5W LED downlight with new improved design featuring enhanced thermal management, integrated IC cap and improved efficacy with driver-on-board and high voltage LED chips. Available in 2700K and 3000K. Interchangeable bezels available in White, Matt White, Polished Chrome and Satin Nickel. Two lens options: 40° and 60° with 40° fitted as standard. FastRFix™ rapid install system connector included. Rated to 30, 60 and 90 minute fire ceilings. Complies with BS EN 1365-2: 2014 (fire resistance), BS EN ISO 10140-2: 2010 & BS EN ISO 10140-3: 2010 + A1: 2015 (acoustics), BS EN 13141-1:2400 (Air leakage).

5 year extended warranty - register at [auroralighting.com/warranty](http://auroralighting.com/warranty)

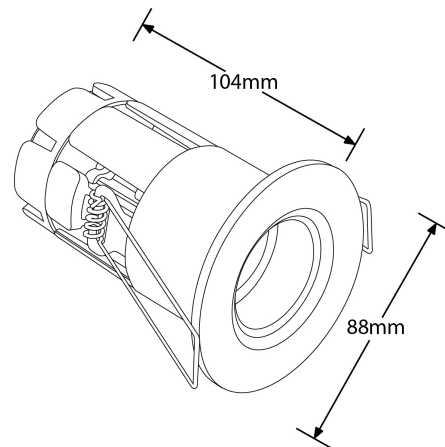
### Product Image:



### Product Features:

- Rated to 30, 60 & 90 minute fire ceilings
- icDOB™ (Driver on Board) for maximum reliability and lifetime - NO SEPARATE DRIVER REQUIRED
- IC cap included
- Mains voltage single source HVLED™ chip eliminates overshadowing and offers controlled dimming
- Patented LEDchroic™ lens provides halogen appearance with LED efficiency, anti-glare and precise beam control
- 40° lens supplied, interchangeable 60° lens sold separately
- ErP compliant - High colour rendering index (Ra) >80
- FastRFix™ rapid install system - connector included
- Twist&Lock™ IP65 Interchangeable bezels - sold separately
- BS EN 1365-2: 2014 (Fire resistance)
- BS EN ISO 10140-2: 2010 & BS EN ISO 10140-3: 2010 + A1: 2015 (Acoustics)
- BS EN 13141-1:2004 (Air leakage)
- (L70) at a 40,000 hour lifetime
- 5 Year Warranty – see [auroralighting.com](http://auroralighting.com) for details

### Product Dimension:



### Title

Input Voltage	220~240V AC
Input Frequency	50/60HZ
Operating Temp (Min-Max)	-25°C (77~°F.)
Dimmable	Yes
Dimensions	mm (L) x mm (W) x 92mm (H) x 88mm (OD) x 92mm (RD) x mm
Number of LEDs	12



**SKU Table and Ordering**

SKU Code	Colour	lm	Wattage	Lumens/Watt
AU-FRLD813B/27	2700	375	8.5	45
AU-FRLD813B/30	3000	420	8.5	50
AU-FRLD813B/40	4000	450	8.5	53

**Warranty**

This product has a warranty period of 1 Year from the date of purchase. The warranty is invalid in the case of improper use, installation, tampering, and removal of the Q.C. date label; installation in an improper working environment or installation not according to the current edition of the National Electric Code. Should this product fail during the warranty period it will be replaced free of charge, subject to the correct installation of the original product and subsequent return of the faulty unit. Aurora does not accept responsibility for any installation costs associated with the replacement of this product and Aurora reserves the right to alter specifications without prior notice.

**ZA Sales & Distribution**

Building 6 Pinewood  
Office Park 33 Riley  
Road, Woodmead Gauteng  
South Africa  
Tel : +27 (0) 11 234 4878