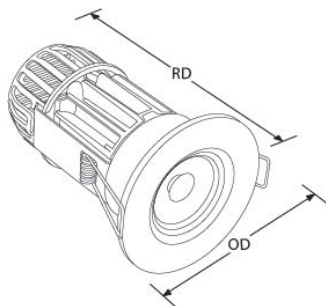


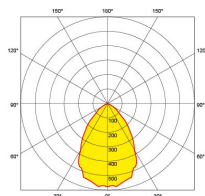


SKU Code	Colour	Lumens	Lumens/Watt	Wattage	Beam Angle	Finish Colour
AU-FRLD811AKW/30	3000	460	46	10	40	White
AU-FRLD811AKW/40	4000	550	55	10	40	White

Line Drawing



Polar Curve



Color

## Product Features:

- Rated to 30, 60 & 90 minute fire ceilings
- United Kingdom Patent Application No. 1405622.0
- icDOB™ (Driver on Board) for maximum reliability and lifetime - NO SEPARATE DRIVER REQUIRED
- Crystalcool™ next generation thermal management offers brighter light for longer
- Mains voltage single source HVLED™ chip eliminates overshadowing and offers controlled dimming
- Patented LEDchroic™ lens provides halogen appearance with LED efficiency, anti-glare and precise beam control
- 40° lens supplied, interchangeable 24° & 60° lenses for fixed and baffle versions - sold separately
- FastFix™ rapid install system with 1.5m flex and plug fitted
- Twist&Lock™ IP65 Interchangeable white bezel included
- BS EN 1365-2:2000 (Fire resistance)
- BS EN ISO 140-3:1995 & BS EN ISO 140-6:1998 (Acoustics)
- BS EN 13141-1:2004 (Air leakage)
- (L70) at a 40,000 hour lifetime
- 5 year warranty – see [auroralighting.com](http://auroralighting.com) for details

## Product Specs:

Input Voltage	220~240V AC	Input Frequency	50/60HZ
Power Factor	0.9	Dimmable	Yes
Number of LEDs	1	IP Rating	IP65
Technology	LED	Luminaire Distribution	Direct
Lifetime L70 (hrs)	40000	Fire Protection	Yes
Acoustic Rated	Yes	Operating Temp	40°C
Optic Material	PC	Overall Diameter (mm)	88
Length (mm)	95	Cutout Diameter (mm)	72
Recess Depth (mm)	95	Positional Adjustment	Fixed
LED Chip	HV	Positional Adjustment	Fixed

## Compliance & Approvals:



## Warranty:

This product has a warranty period of 1 Year. Warranties may be available on certain products as indicated in the product description. Warranties are valid from the date of purchase. The warranty is invalid in the case of improper use, installation, tampering, removal of the Q.C. date label or installation in an improper working environment or installation. Should this product fail during the warranty period it will be replaced free of charge, subject to the correct installation of the original product and subsequent return of the faulty unit. Aurora does not accept responsibility for any installation costs associated with the replacement of this product and Aurora reserves the right to alter specifications without prior notice.