

Project.....

Fixture Type.....

Comments.....

Prepared By.....

Product Description:

Integrated, fire rated 10W LED downlight with driver-on-board and high voltage, single source LED chip. Fitted with CrystalCool™ thermal management. 65-72mm cutout. Comes with White Bezel from auroraclearance.com, call to request different bezel colours

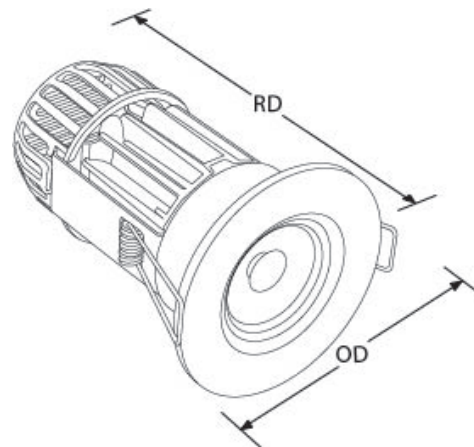
Product Image:



Product Features:

- Rated to 30, 60 & 90 minute fire ceilings
- CrystalCool™ next generation thermal management offers brighter light for longer
- Mains voltage single source HVLED™ chip eliminates overshadowing and offers controlled dimming
- Patented LEDchroic™ lens provides halogen appearance with LED efficiency, anti-glare and precise beam control
- 40° lens supplied, interchangeable 24° & 60° lenses for fixed and baffle versions - sold separately
- ErP compliant - High colour rendering index (Ra) >80
- FastFix™ rapid install system - connector included
- BS EN 1365-2:2000 (Fire resistance)
- BS EN ISO 140-3:1995 & BS EN ISO 140-6:1998 (Acoustics)
- BS EN 13141-1:2004 (Air leakage)
- (L70) at a 40,000 hour lifetime
- icDOB™ (Driver on Board) for maximum reliability and lifetime - NO SEPARATE DRIVER REQUIRED

Product Dimension:



Compliance & Approvals:



Title

Input Voltage	220~240V AC
Input Frequency	50/60HZ
Operating Temp (Min-Max)	-20-25°C (77~-4°F.)
Dimmable	No
Dimensions	mm (L) x mm (W) x 95mm (H) x 88mm (OD) x 95mm (RD) x mm
Number of LEDs	1

SKU Table and Ordering

SKU Code	Colour	lm	Wattage	Lumens/Watt
AU-FRL801/27	2700	450	10	45
AU-FRL801/27EM	2700	450	10	45
AU-FRL801/30	3000	530	10	53
AU-FRL801/30EM	3000	460	10	46
AU-FRL801/40	4000	550	10	55
AU-FRL801/40EM	4000	550	10	55
AU-FRL8016/30	3000	460	10	46
AU-FRL8016/40	4000	550	10	55

Warranty

This product has a warranty period of 1 Year from the date of purchase. The warranty is invalid in the case of improper use, installation, tampering, and removal of the Q.C. date label; installation in an improper working environment or installation not according to the current edition of the National Electric Code. Should this product fail during the warranty period it will be replaced free of charge, subject to the correct installation of the original product and subsequent return of the faulty unit. Aurora does not accept responsibility for any installation costs associated with the replacement of this product and Aurora reserves the right to alter specifications without prior notice.

ZA Sales & Distribution

Building 6 Pinewood
Office Park 33 Riley
Road, Woodmead Gauteng
South Africa
Tel : +27 (0) 11 234 4878